

Heal Force Laboratory Equipment

Neofuge 15/Neofuge 15R(Refrigerated) Laboratory Centrifuge



Neofuge 15

Neofuge 15R(refrigerated)



Heal Force leads you to healthier life

Neofuge 15/15R Laboratory Centrifuge



Heal Force Neofuge 15/15R laboratory centrifuges, providing excellent centrifugal effect and easy to use with high reliability and safety, are widely used in routine laboratories research in the fields of bioscience, medicine and industry.

Features

- Maximum speed at 16,000rpm & maximum RCF at 24,905×g
- Easy control for parameter setting & precise control by microprocessor
- Electronic imbalance detection
- Automatic rotor identification
- Low noise brushless drive motor, free of maintenance
- Refrigerated by CFC-free unit (R134a), temperature range -10~40°C (Neofuge 15R only)
- Precooling rotors function during standby (Neofuge 15R only)
- Standard accessory of #1501 fixed angle rotor (24×1.5/2.0ml)

Electronic imbalance detection

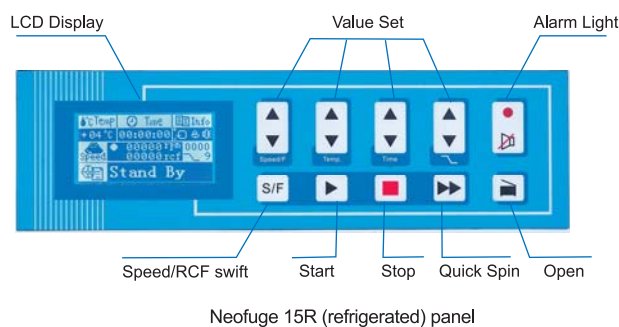
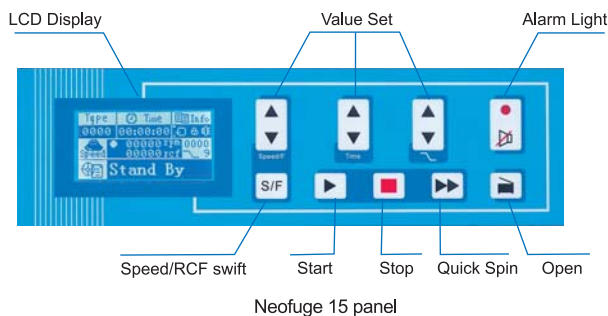
Neofuge 15/15R are equipped with an electronic imbalance detection system, which responds in case samples are loaded incorrectly or the tube is broken, and pauses centrifugation automatically to protect the operator or machine from being hurt or damaged.

Automatic rotor identification

Different rotors are identified automatically by the system. The system indicates alarm signal in case of following conditions: setting speed exceeding limit, empty running without rotors, and failure of rotor identification.

Simple & easy control

With all essential status parameters are directly displayed on the LCD screen, the operator is very convenient to preset parameters such as speed, RCF, chamber temperature (Neofuge 15R only) and running time.



Neofuge 15R (refrigerated)



Neofuge 15



#1501 fixed angle rotor (standard)

#1501 fixed angle rotor							
24×1.5/2.0ml, 16000rpm, 24900×g,45°							
Centrifuge tube					Adaptor		
Capacity	Type	Diameter	Length	Tube qty/rotor	Tube qty/adaptor×volume	Order No.	Adaptor qty/rotor
1.5ml	round	Ø11mm	47mm	24pcs	-	-	-
2ml	round	Ø11mm	47mm	24pcs	-	-	-
0.5ml	conical	Ø8mm	32mm	24pcs	1pc×0.5ml	ADP17.02-001	24pcs
0.2ml	conical	Ø6.5mm	22mm	24pcs	1pc×0.2ml	ADP17.02-002	24pcs



#1502 swing-bucket rotor (optional)

#1502 swing-bucket rotor #1502 rotor incl. 4 aerosol-tight standard buckets							
4×100ml, 4000rpm,2590×g							
Centrifuge tube					Adaptor		
Capacity	Type	Diameter	Length	Tube qty/rotor	Tube qty/adaptor×volume	Order No.	Adaptor qty/rotor
100ml	flat	Ø45mm	100mm	4pcs	-	-	-
50ml	round	Ø29mm	114mm	4pcs	1pc×50ml	SP15.04.100.S50-10	4pcs
50ml	conical	Ø29mm	116mm	4pcs	1pc×50ml	SP15.04.100.C50-10	4pcs
50ml	round	Ø36mm	110mm	4pcs	1pc×50ml	SP15.04.100.50-10	4pcs
25ml	round	Ø25mm	115mm	4pcs	1pc×25ml	SP15.04.100.25-10	4pcs
15ml	conical	Ø17mm	120mm	4pcs	1pc×15ml	SP15.04.100.C15-10	4pcs
15ml	round	Ø17mm	104mm	12pcs	3pcs×15ml	SP15.04.100.15-00	4pcs
7ml	round	Ø12mm	104mm	20pcs	5pcs×7ml	SP15.04.100.7-00	4pcs
5/7ml	round	Ø12mm	104mm	12pcs	3pcs×5/7ml	SP15.04.100.5-00	4pcs
1.5/2.0ml	round	Ø11mm	44mm	40pcs	10pcs×1.5/2ml	SP15.04.100.1-00	4pcs

#1503 fixed angle rotor

6×50ml, 8500rpm, 10015×g,45°



#1503 fixed angle rotor (optional)

#1503 fixed angle rotor							
6×50ml, 8500rpm, 10015×g,45°							
Centrifuge tube					Adaptor		
Capacity	Type	Diameter	Length	Tube qty/rotor	Tube qty/adaptor×volume	Order No.	Adaptor qty/rotor
50ml	conical	Ø29.5mm	116mm	6pcs	1pc×50ml	F08.50-04	6pcs
50ml	round	Ø29mm	115mm	6pcs	1pc×50ml	ADP15.94-001	6pcs
38ml	round	Ø25.5mm	96mm	6pcs	1pc×38ml	ADP15.94-002	6pcs
16ml	round	Ø18mm	114mm	6pcs	1pc×16ml	ADP15.94-003	6pcs
15ml	conical	Ø16mm	120mm	6pcs	1pc×15ml	ADP15.94-008	6pcs
12ml	round	Ø16mm	112mm	12pcs	2pcs×12ml	ADP15.94-004	6pcs
10ml	round	Ø16mm	82mm	6pcs	1pc×10ml	ADP15.94-011	6pcs
6.5ml	round	Ø13mm	104mm	18pcs	3pcs×6.5ml	ADP15.94-005	6pcs
5ml	round	Ø13.5mm	52mm	12pcs	2pcs×5ml	ADP15.94-010	6pcs
3.5ml	round	Ø11mm	85mm	24pcs	4pcs×3.5ml	ADP15.94-006	6pcs
1.5ml	conical	Ø11mm	41mm	24pcs	4pcs×1.5ml	ADP15.94-007	6pcs

#1507 microplate rotor with 2 racks

Rotor #1507 incl. 2 microplate buckets (For 15R only)

2 microplate, 3000rpm,1087×g,90°



#1507 microplate rotor (optional for Neofuge15R only)

#1507 microplate rotor with 2 racks							
2 microplate, 3000rpm,1087×g,90°							
Centrifuge microplate				Adaptor			
Name	LxD×H(mm)	Tube qty/rotor	Tube qty/adaptor×volume	Order No.	Adaptor qty/rotor		
96-hole microplate	128×85.6×15	6pcs	-	-	-		
24-hole microplate	128×85.6×21	4pcs	-	-	-		
96-hole deep microplate	128×85.6×45	2pcs	-	-	-		

#1508 fixed angle rotor

(for 15R only)

8×50ml,12000rpm,15778×g,28°



#1508 fixed angle rotor (optional for Neofuge15R only)

#1508 fixed angle rotor							
8×50ml,12000rpm,15778×g,28°							
Centrifuge tube					Adaptor		
Capacity	Type	Diameter	Length	Tube qty/rotor	Tube qty/adaptor×volume	Order No.	Adaptor qty/rotor
50ml	round	Ø29mm	112mm	8pcs	-	-	-
38ml	round	Ø25.5mm	92mm	8pcs	1pc×38ml	ADP15.50-001	8pcs
16ml	round	Ø18mm	108mm	8pcs	1pc×16ml	ADP15.50-002	8pcs
12ml	round	Ø16mm	106mm	8pcs	1pc×12ml	ADP15.50-003	8pcs
10ml	round	Ø16mm	82mm	8pcs	1pc×10ml	ADP15.50-008	8pcs
6.5ml	round	Ø13mm	104mm	8pcs	1pc×6.5ml	ADP15.50-004	8pcs
5ml	round	Ø13.5mm	52mm	8pcs	1pc×5ml	ADP15.50-007	8pcs
3.5ml	round	Ø11mm	82mm	24pcs	3pcs×3.5ml	ADP15.50-005	8pcs
1.5ml	conical	Ø11mm	41mm	24pcs	3pcs×1.5ml	ADP15.50-006	8pcs

Neofuge 15/15R Laboratory Centrifuge

Specifications

Max. speed	16,000rpm	Drive	Brushless induction motor
Min. speed	300rpm	Noise at max. speed	≤60dB
Steplength	10rpm	Temperature range	-10°C ~+40°C (Neofuge 15R only)
Max. RCF	24,905×g	Control	Microprocessor control
Max. capacity	4×100ml	Running time	≤9h 59min, quick spin
Braking/acceleration curves	9/9	Dimensions(H×W×D)	330mm×525mm×390mm (Neofuge 15) 315mm×580mm×520mm (Neofuge 15R)
Refrigerant	R134a (CFC-free) (Neofuge15R only)	Net weight without rotor	58Kg (Neofuge 15) 74Kg (Neofuge 15R)
Power supply	220V/50Hz(standard) 220V/60Hz(optional)		

Heal Force Laboratory Equipment



Laboratory Centrifuge



Water Purification System



CO₂ Incubator



Biological Safety Cabinet



Heal Force Bio-Meditech Holdings Group
Nison Instrument (Shanghai) Limited

International Sales Office: Floor 15, No.2 Hua Shan Road, Shanghai 200040, P.R. China

Tel: +86 21 62728646

E-mail: export@hf.healoo.com

Fax: +86 21 62710529

Website: www.healforce.com

Information is subject to change and/or updating without notice.
Copyright © 2010 Heal Force. All Rights Reserved.